

NEWPORT: S-2000A PNEUMATIC VIBRATION ISOLATORS

SPECIFICATIONS

Part Number: S-2000A-428

Isolator Height: 28 in. (711.2 mm)

Load per Isolator: 2000 lbs (907 kg)

Number of Isolators: 4

Tie Bar Flange: Yes

Self-Centering: Yes

Settling Time: 1.5 s

Releveling Accuracy: ± 0.010 in. (0.254 mm)

Horizontal Damping: Oil

Horizontal Isolation, 5 Hz: 85%

Horizontal Isolation, Resonance: 1.5 Hz

Horizontal Isolation, 10 Hz: 95%

Vertical Isolation, 10 Hz: 98%

Vertical Isolation, 5 Hz: 94%

Vertical Isolation, Resonance: 1 Hz

Height Adjustment: +1.3 in. (33 mm)

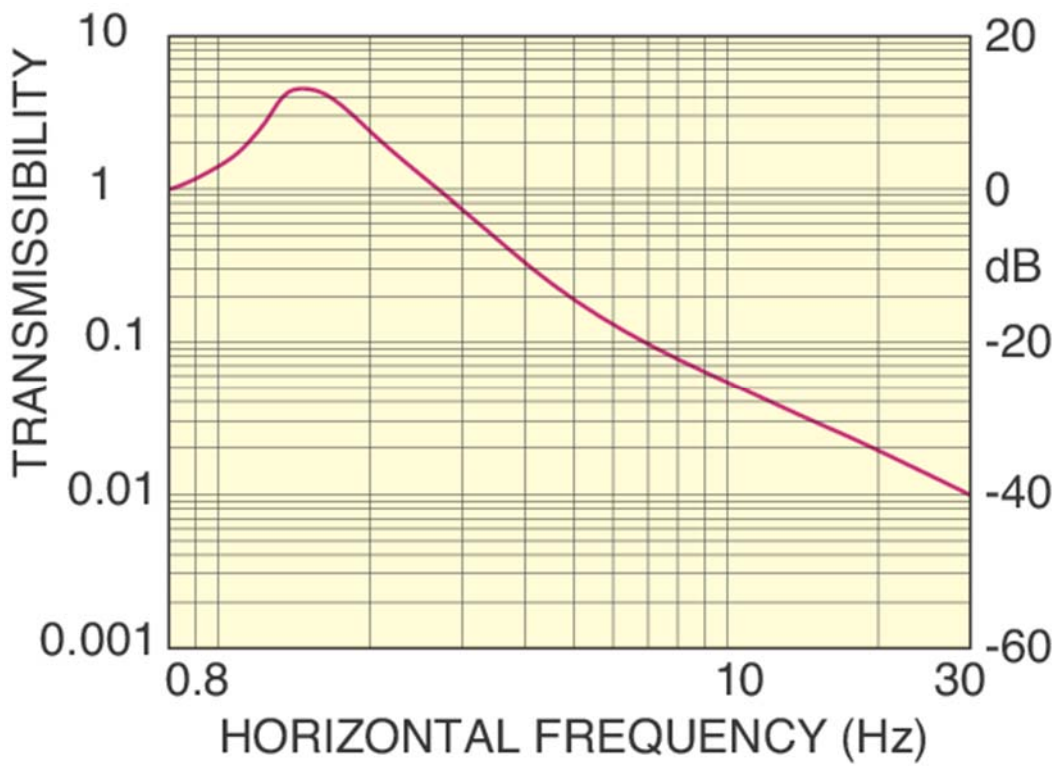
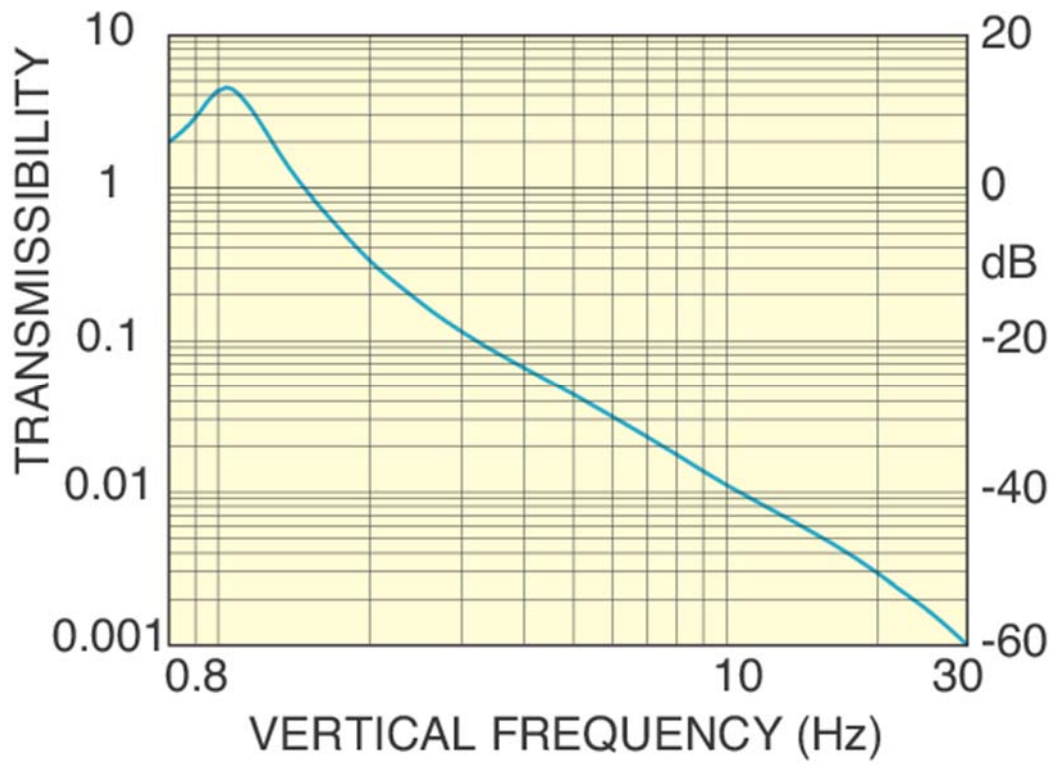
Horizontal Amplification at Resonance: 9 dB

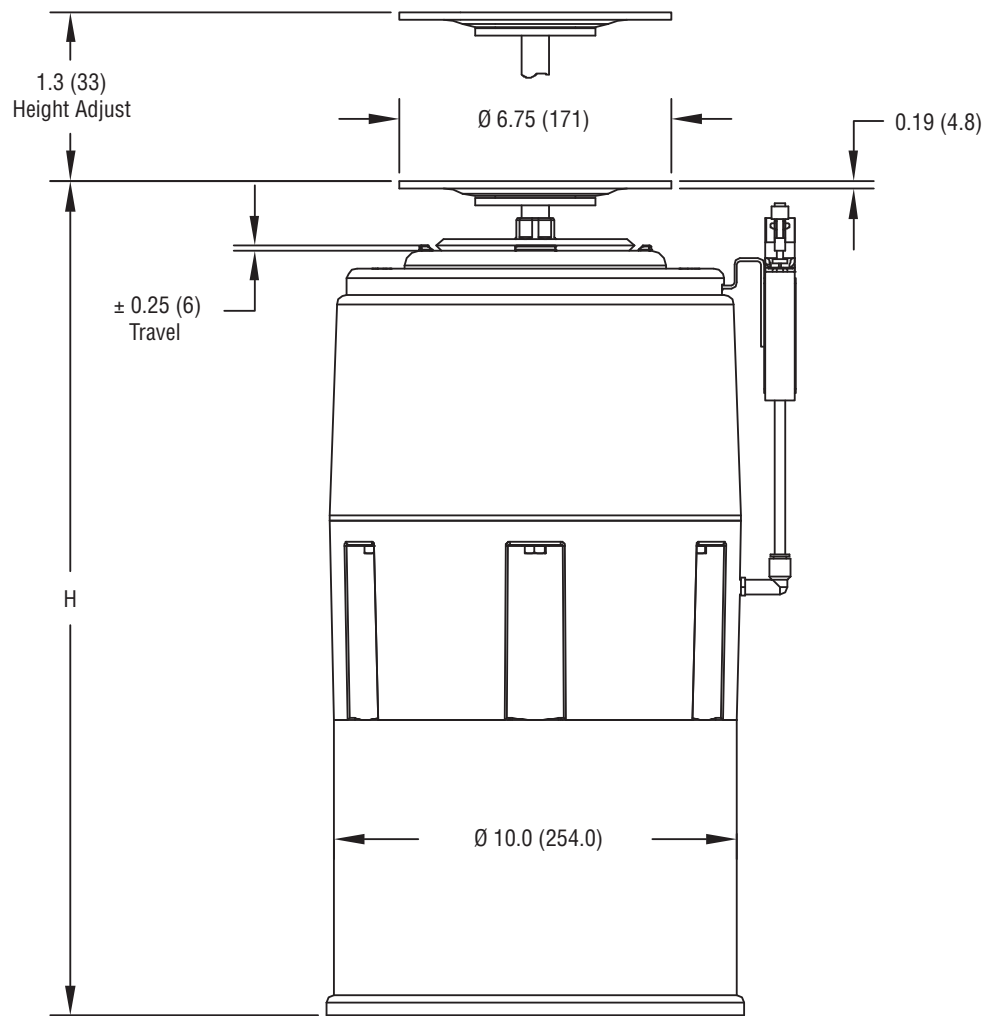
Vertical Amplification at Resonance: 10 dB

Maximum Air Pressure: 85 psi (586 kPa)

Float Height Indicator: Yes

Crated Weight: 270 lbs (123 kg)





Part Number	H (in.)	H (mm)
S-2000A-119.5	19.5	495.3
S-2000A-122	22	558.8
S-2000A-123.5	23.5	596.9
S-2000A-128	28	711.2
S-2000A-416	16	406.4
S-2000A-419.5	19.5	495.3
S-2000A-422	22	558.8
S-2000A-423.5	23.5	596.9
S-2000A-428	28	711.2
S-2000A-616	16	406.4
S-2000A-619.5	19.5	495.3
S-2000A-116	16	406.4
S-2000A-622	22	558.8
S-2000A-623.5	23.5	596.9
S-2000A-628	28	711.2
S-2000A-816	16	406.4
S-2000A-819.5	19.5	495.3
S-2000A-822	22	558.8
S-2000A-823.5	23.5	596.9
S-2000A-828	28	711.2
S-2000A-419.5-TC	19.5	495.3
S-2000A-422-TC	22	558.8
S-2000A-423.5-TC	23.5	596.9
S-2000A-428-TC	28	711.2
S-2000A-119.5-TC	19.5	495.3
S-2000A-122-TC	22	558.8
S-2000A-123.5-TC	23.5	596.9
S-2000A-128-TC	28	711.2